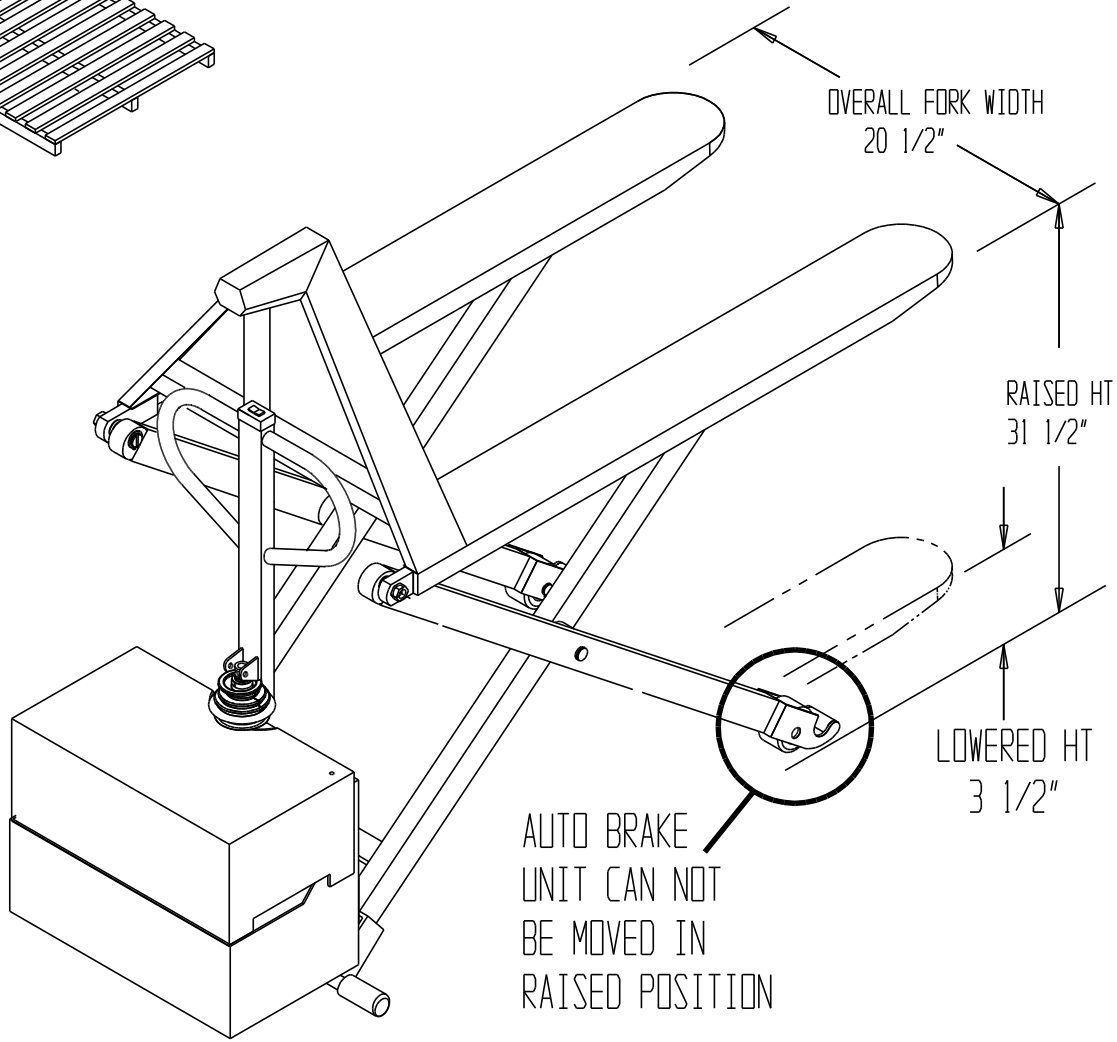
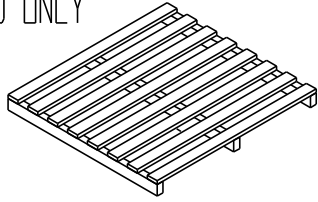


FOR USE WITH
OPEN BOTTOM
SKID ONLY

DC POWERED TOTE LIFTER, L-220-DC-HD



FOR USE WITH
OPEN BOTTOM
SKID ONLY

PRODUCTION WILL START UPON
RECEIPT OF SIGNED APPROVAL
DRAWING

STANDARD FEATURES

MODEL NUMBER: L-220-DC-HD
CAPACITY: 3,000 LBS
LOWERED HT: 3 1/2"
RAISED HT : 31 1/2"
FORK LENGTH : 45"
FORK WIDTH : 6 1/2"
OVERALL FORK WIDTH : 20 1/2"
12V DC POWERED

SPECIAL FEATURES

NONE

APPROVAL

I, the undersigned, hereby approve this print
 As drawn As marked
 This includes my approval of design & dimensions.
 Signed: _____
 Date: _____

**SPECIAL UNITS ARE NON-RETURNABLE
 *AVAILABLE AT ADDITIONAL COSTS

DISTRIBUTOR'S NAME: T & S EQUIPMENT		P.O.#: -
DRAWN BY: S ROSE		W.O.#: -
DATE: 7-16-04		SALES: -
REFERENCE: -		DRWG./FILE NAME: L-270-DC-HD