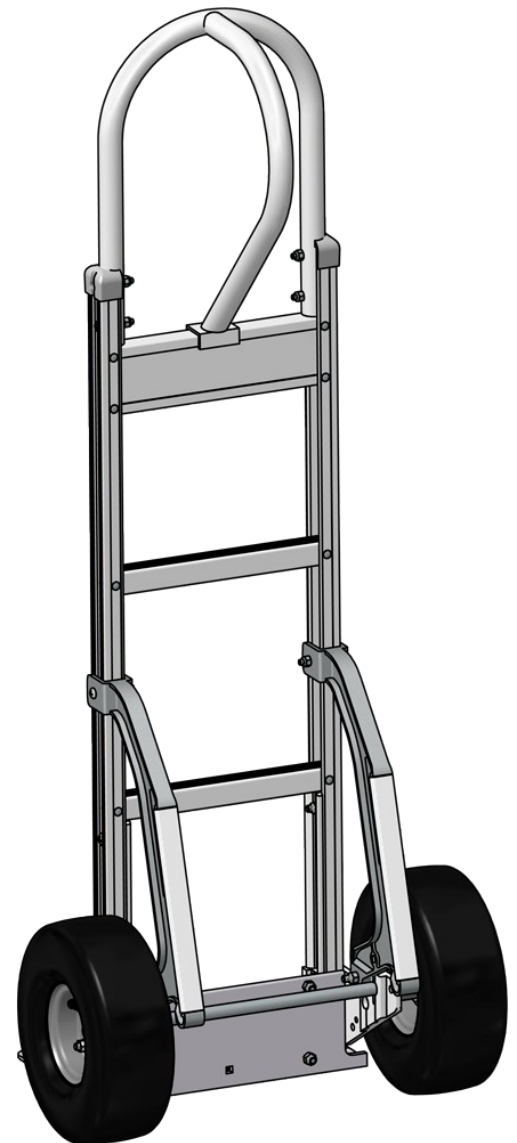
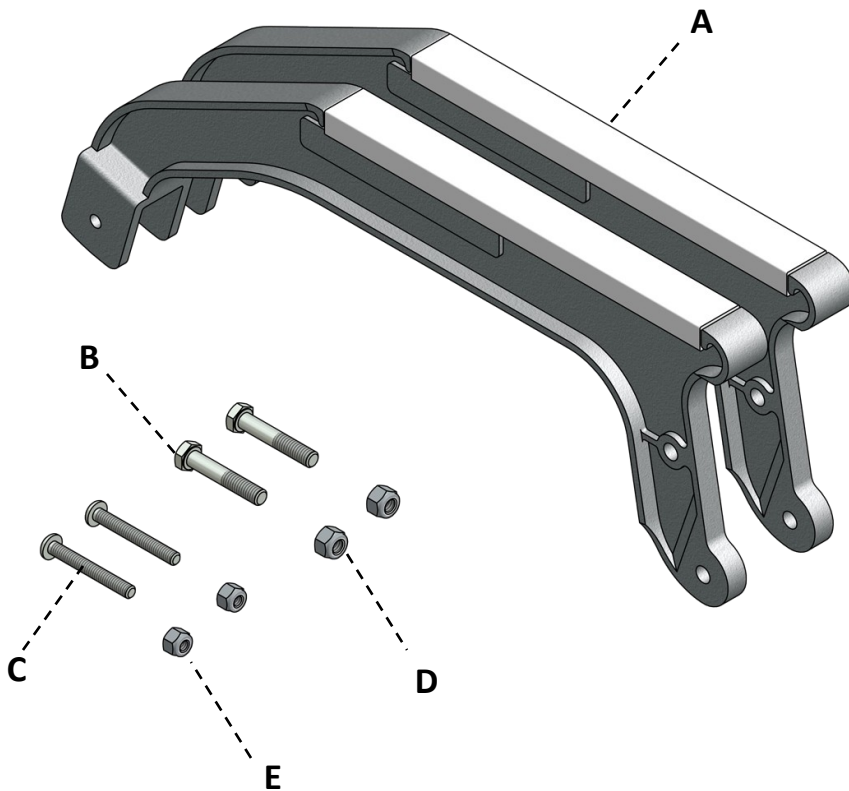


Cast Stair Climber Assembly Instructions

Item	Description	Qty.	Part No.
A	E1C Cast Stair Climber	2	2002-194
B	Bolt, Hex Head, 5/16"-18 x 1-3/4"	2	8007-017
C	Bolt, 1/4"-20 x 2"	2	8068-004
D	Lock Nut, 5/16"-18	2	8001-005
E	Lock Nut, 1/4"-20	2	8001-004

Tools Required:

- (2) 1/2" wrench/socket
- (1) #2 Phillips screwdriver
- (1) 7/16" wrench/socket
- (1) Needle nose pliers



*Handle, frame, nose plate, and wheels will vary based on the options selected at the time of purchase.

www.bpmfg.com

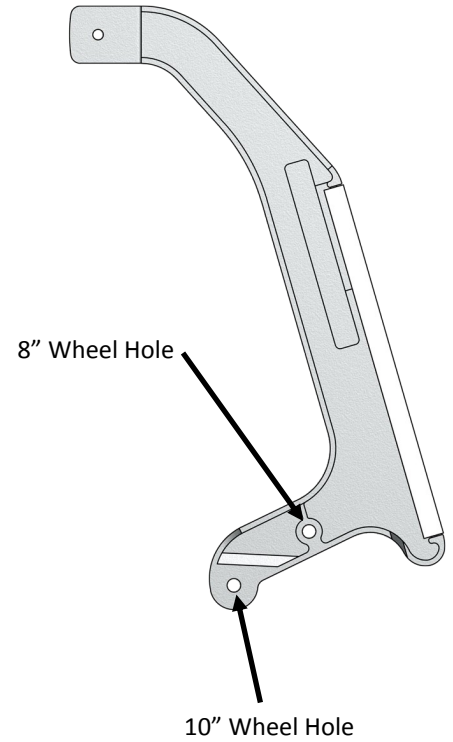
8051 East Boon Road | Cadillac, MI 49601

(800) 334-7141

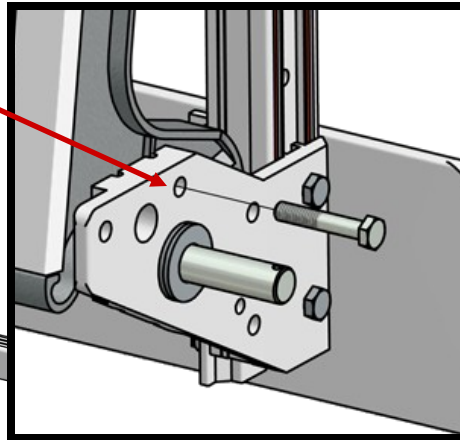
b&p Manufacturing
Engineered Delivery Products

Cast Stair Climber Assembly Instructions

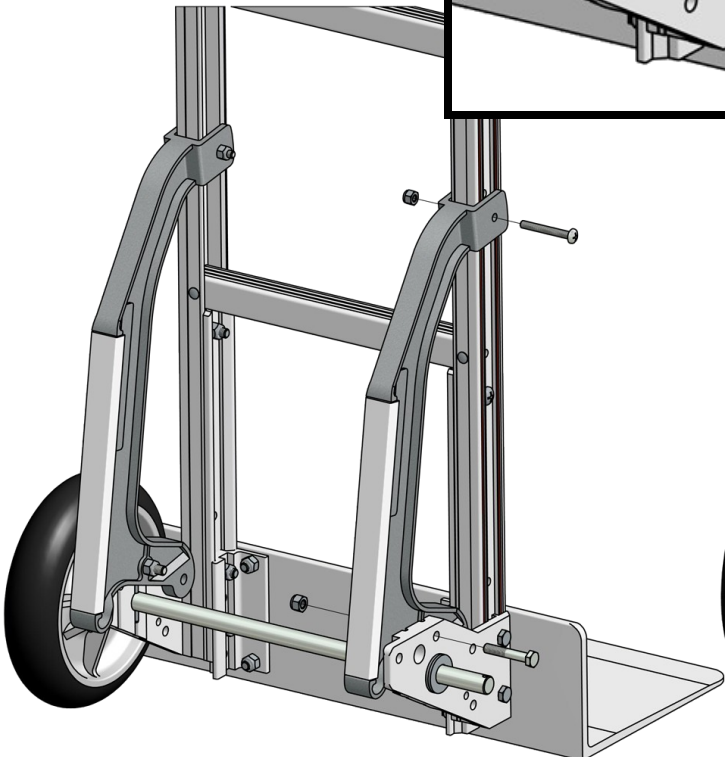
1. To add stair climbers to your hand truck first remove the wheels and set aside.
2. Fasten the lower end of the stair climber (A) to the inside of the wheel bracket, using the hole specified for your wheel size. Secure the stair climber with 1-3/4" bolts (B) and 5/16"-18 lock nuts (D).
3. Fasten the top of the stair climber (A) to the frame, aligning with one of the pre-drilled holes, securing with the 2" bolt (C) and 1/4"-20 lock nut (E). Tighten and repeat on opposite side.
4. Reattach wheels.



Wheel bracket mounting hole.



Installation with 8" wheels,
with or without brakes.



Installation with 10" wheels,
with or without brakes.

